



## T054 - Pulsation Generator (612) Updated Features - Mar 2025

The new version 612 board (from 2025) includes additional features, most notably a display to monitor output and buttons to change the pulsation rate. It will operate at 12VDC or 24VDC.

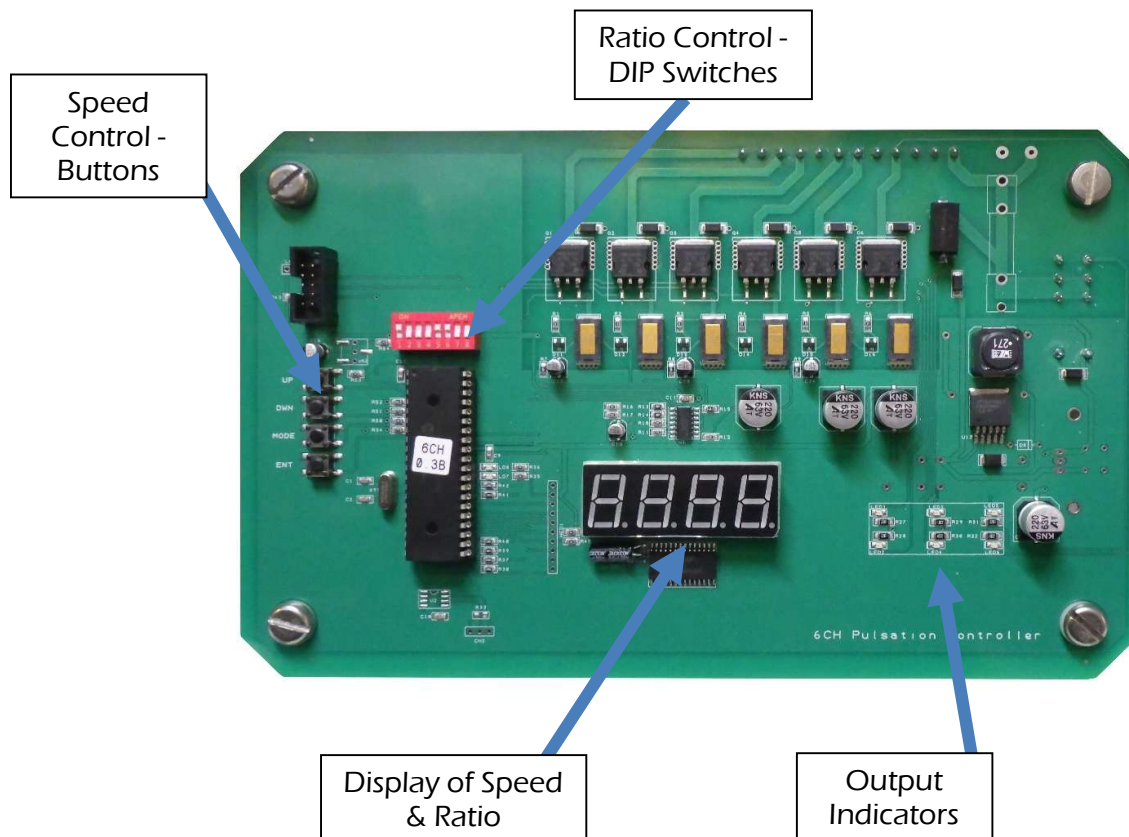
*Display*, on startup shows Pulsation Speed followed by Ratio

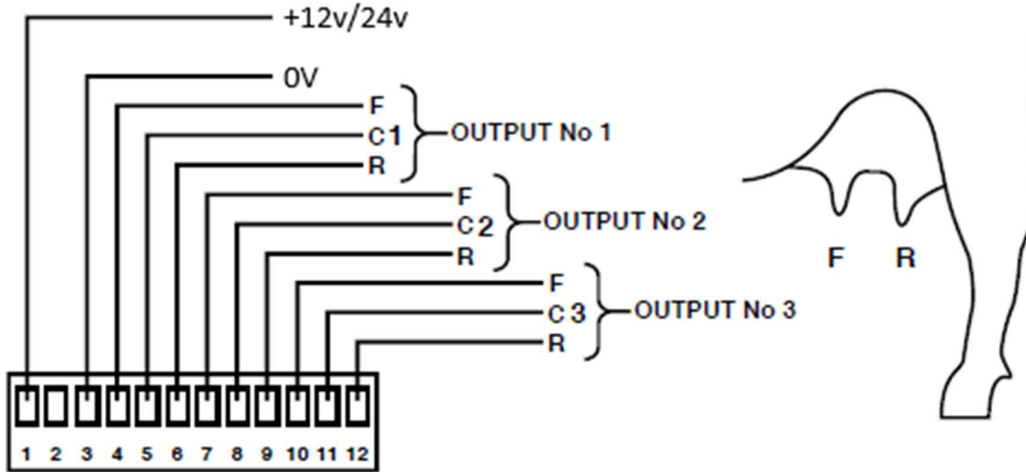
*Electrical Connections*, as previous

*Pulsation Ratio*, set as previous on DIP switches (see next page)

*Pulsation Speed*, now set by buttons to the left of the display as follows

- Press and hold the **MODE** button for 4-5 seconds until green led comes on (pulsation will pause)
- Use **UP** and **DOWN** buttons to set speed, which is shown on display and can range 40 -> 130 PPM
- Press **ENT** button to save and exit (pulsation will restart)





% %  
F R

OUTPUT SIGNALS FROM PULSATION GENERATOR

GROUP A	11111100	50:50	50:50	1 { F R
	01111100	55:45	55:45	
	10111100	60:40	60:40	
	11000100	61:39	61:39	
	01000100	62:38	62:38	
	10000100	63:37	63:37	
	00000100	64:36	64:36	
	00111100	65:35	65:35	
11011100	70:30	70:30	2 { F R	
01011100	65:35	70:30		
10011100	60:40	70:30		
00011100	60:40	65:35		
11101100	55:45	65:35		
01101100	55:45	60:40		
10101100	50:50	60:40		
00101100	50:50	55:45		
GROUP B	11001100	50:50	50:50	3 { F R
	01001100	55:45	55:45	
	10001100	60:40	60:40	
	11100100	61:39	61:39	
	01100100	62:38	62:38	
	10100100	63:37	63:37	
	00100100	64:36	64:36	
	00001100	65:35	65:35	
11110100	70:30	70:30		
GROUP C	01110100	65:35	70:30	1 { F R
	10110100	60:40	70:30	
	00110100	60:40	65:35	
	11010100	55:45	65:35	
	01010100	55:45	60:40	
	10010100	50:50	60:40	
	00010100	50:50	55:45	
	GROUP D	11001100	50:50	
01001100		55:45	55:45	
10001100		60:40	60:40	
11100100		61:39	61:39	
01100100		62:38	62:38	
10100100		63:37	63:37	
00100100		64:36	64:36	
00001100		65:35	65:35	
11110100	70:30	70:30		
GROUP E	01110100	65:35	70:30	3 { F R
	10110100	60:40	70:30	
	00110100	60:40	65:35	
	11010100	55:45	65:35	
	01010100	55:45	60:40	
	10010100	50:50	60:40	
	00010100	50:50	55:45	